



Smart lock installation manual

v03.03

SUMMARY

1. Product instruction	3
1.1. Product description	3
2. Product structure	4
3. Product dimensions	5
4. Product features	5
5. Technical parameters	6
6. Installation and adjustment	7
6.1. Adjustments before installation	7
6.2. Magnetic sensor installation	8
6.3. Rear lock cable check	9
6.4. Installation condition	9
6.5. Installation assembly	10
6.6. Installation steps	11
7. Maintenance	15
Appendix	16

1. Product instruction

Before operating the lock, carefully read the user manual

1.1. Product description

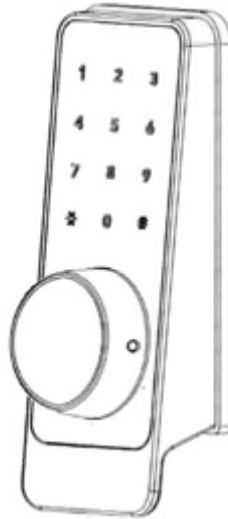


Figure 1: EZYLOCK

EZYLOCK is a smart, secure, versatile and user-friendly lock.

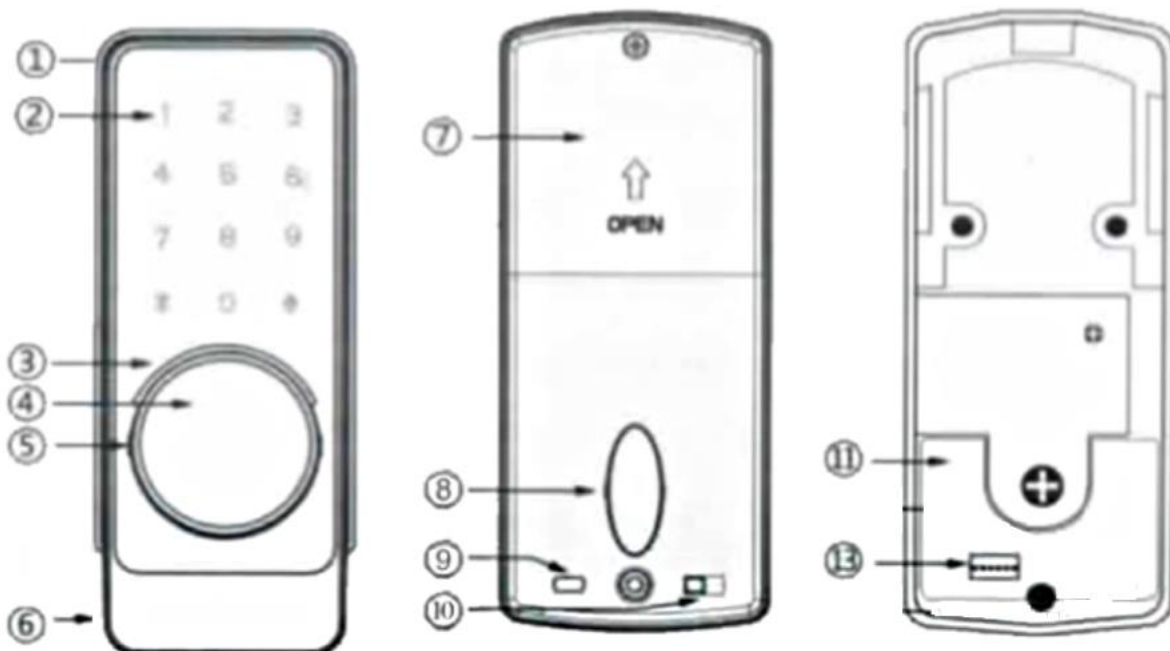
It is suitable for homes, vacation homes, hotels and offices.

With firmware update support, its software capabilities can be expanded to enhance functionality.

Please note: EZYLOCK is designed for push-to-enter doors only.

Smart lock specification	
Model	SMART EZYLOCK
Dimension	154 x 58 x 24mm (6 1/16 in x 2 9/32 in x 15/16 in)
Material	Zinc alloy
Weight	1.10kg (38.8 oz)

2. Product structure



- ① EzyLock lock
- ② Touch keyboard
- ③ Indicator light
- ④ Cylinder cover
- ⑤ Pin
- ⑥ Door handle
- ⑦ Battery cover

- ⑧ Knob
- ⑨ Button for unlocking
- ⑩ Security switch
- ⑪ Rear PC board
- ⑬ Socket

3. Product dimensions

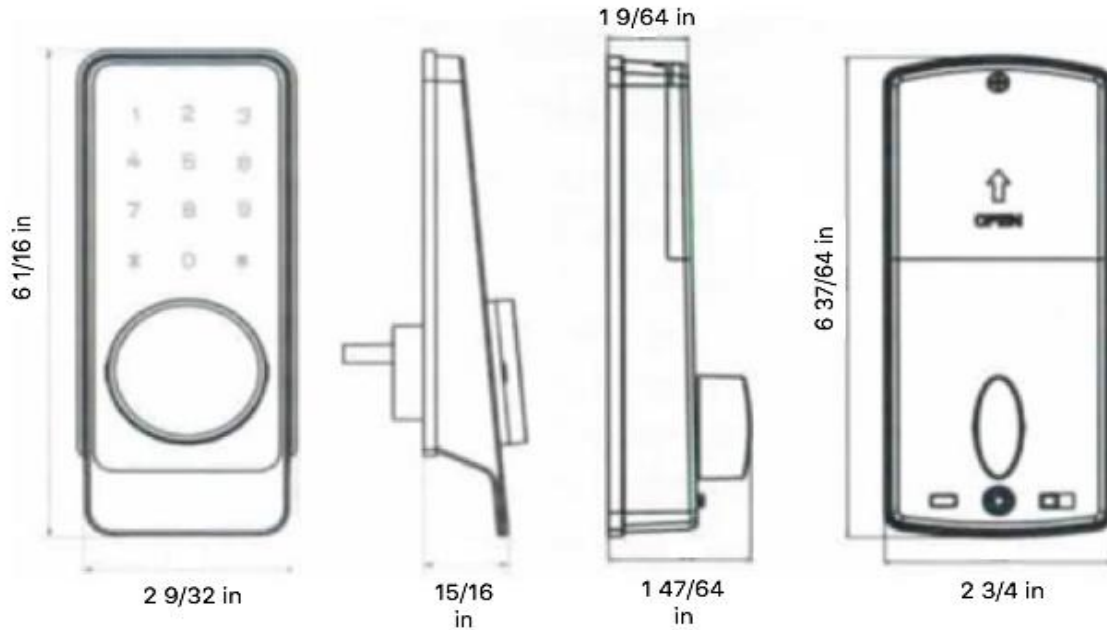


Figure 2: EZYLOCK dimensions

4. Product features

- Tilted structure design for improved visibility and easy operation.
- Individual codes for personalized access.
- Security passcode feature for enhanced protection.
- Low battery alarm to alert users when power is running low.
- Mechanical emergency key for backup access in case of emergencies."

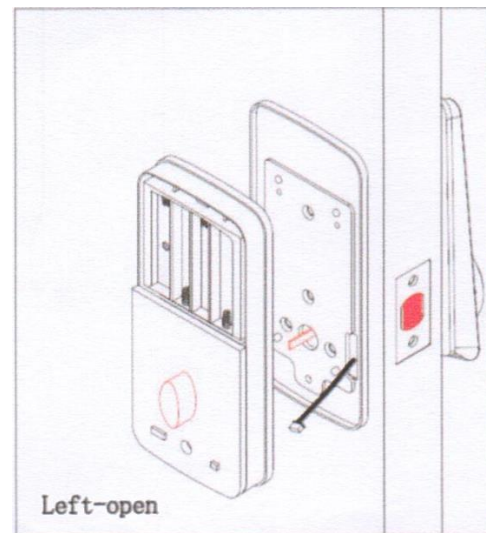
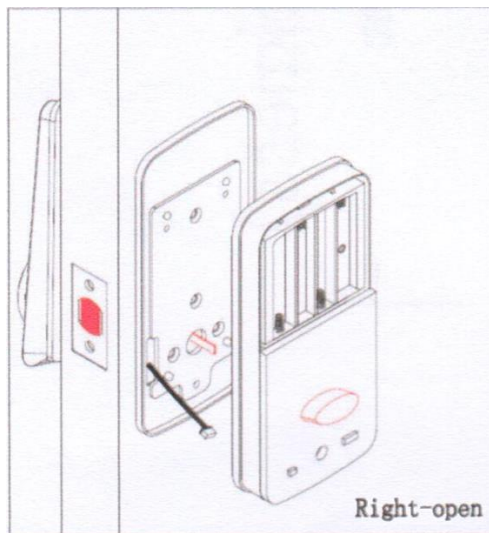
5. Technical parameters

Power supply	5V ~ 6.5V (4 pcs AA alkaline batteries)
Phone system support	Android 10.0/iOS 12.4 or above
Alarm voltage	5.2V ± 0.1V
Static current	< 60 mA
Dynamic current	< 200 mA
Operating temperature	-40°C ~ 70°C (-40°F ~ 158°F)
Operating humidity	20% ~ 93% RH
FAR (False Acceptance Rate)	< 0.001%
FRR (False Reject Rate)	< 1.0%
Opening time	around 1.5 seconds
Mobile phone app	no limitation
Password store capacity	250

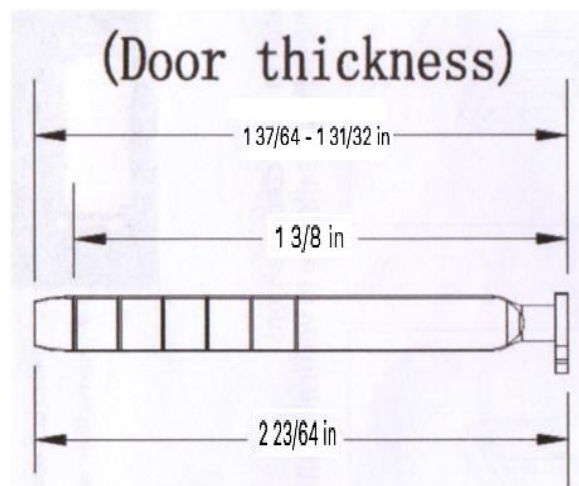
6. Installation and adjustment

6.1. Adjustments before installation

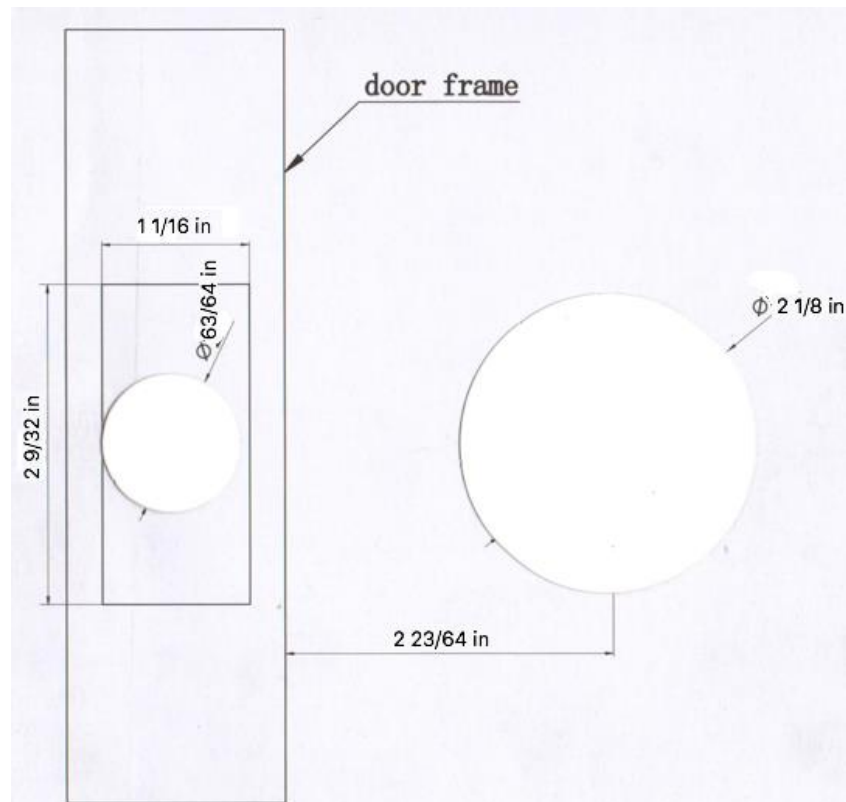
Please note, no adjustments regarding the position of the lock in relation to the opening are required, regardless of whether it's intended for the right or left side. However, during the lock initialization process via the app, it is essential to accurately specify the installed side to ensure proper locking and unlocking functionality.



If necessary, adjust the length of the tailpiece. The relationship between tailpiece length and door thickness is as follows:



Make sure the holes and positions follow the template below



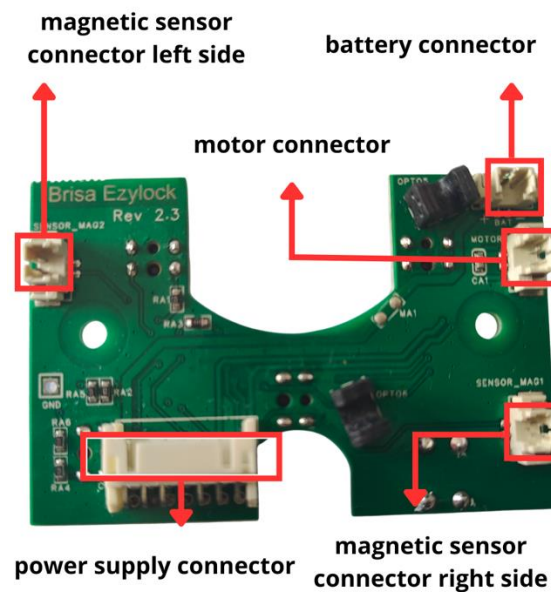
6.2. Magnetic sensor installation

With the door closed, drill two small holes in the door frame for the wire-free portion of the magnetic sensor and secure it with two screws. Align the wired portion with the already-fixed part by making two additional holes in the door and securing it in place. The alignment of this is illustrated below.



6.3. Rear lock cable check

Before assembly, it's crucial to inspect the wire connections of the rear lock. Regardless of whether the lock is intended to open on the right or left side, ensure that the magnetic sensor connector is positioned correctly on the rear lock.



6.4. Installation condition

- Door frame: > 4 21/64 in
- Door thickness: 1 3/8 – 1 31/32 in
- Door thickness: > 1 31/32 in (Cylinder will be longer)

6.5. Installation assembly

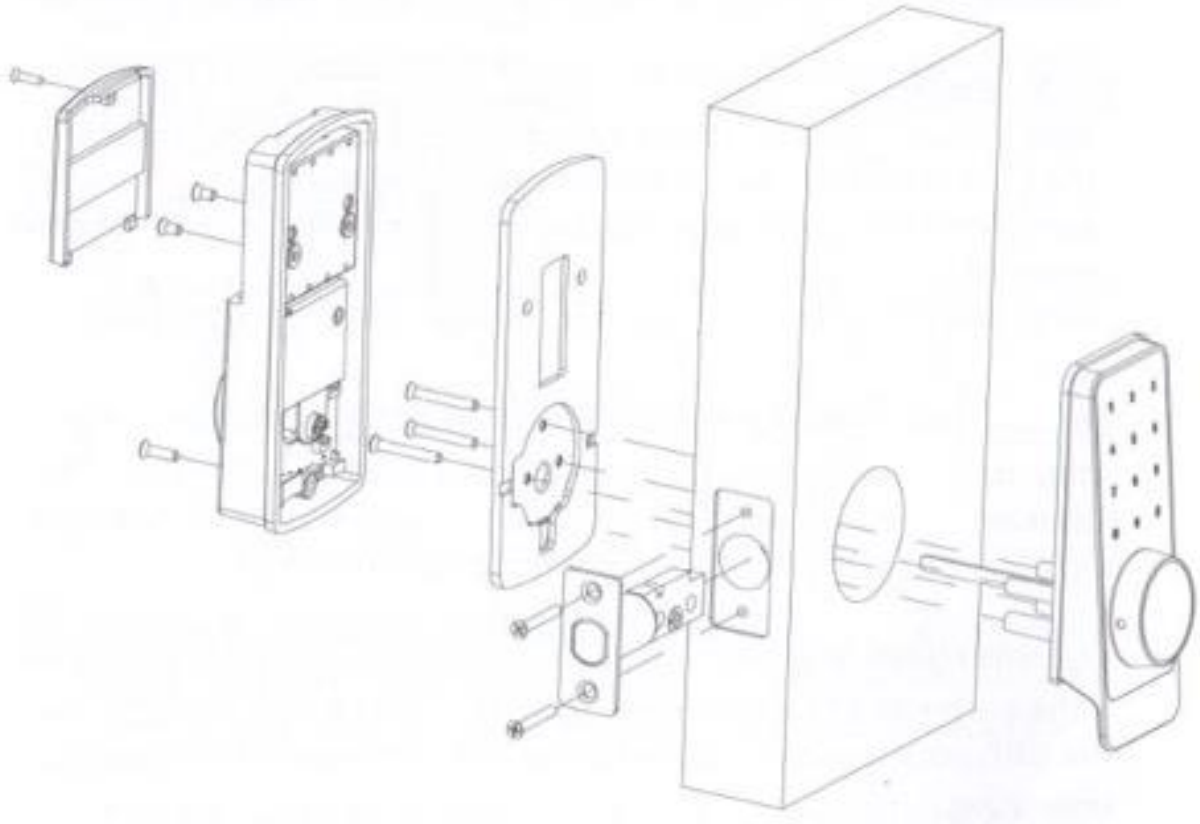
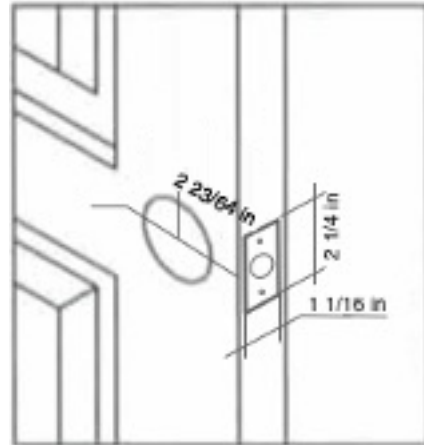


Figure 3: EZYLOCK installation on the door frame

6.6. Installation steps

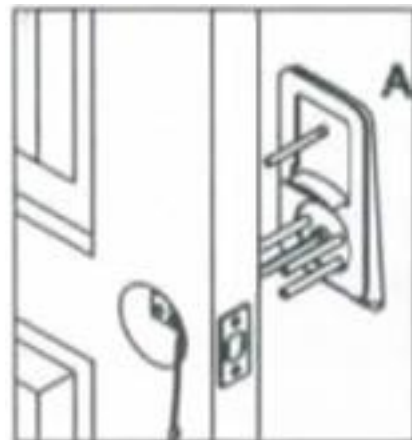
1. Drill a large and a small hole on the door for the front and rear panel and drill a round hole on the door frame for the deadbolt according to the 1:1 template.



2. Insert the deadbolt into the hole of the door frame and secure it with 2 screws.



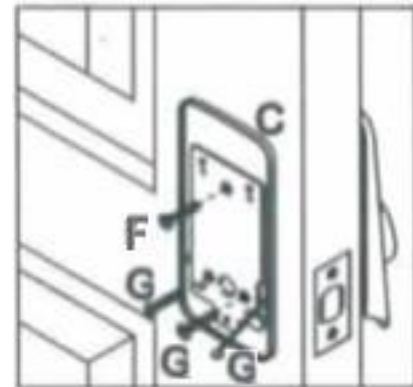
3. Insert the thin bar of the front panel into the hole of the deadbolt in a vertical position.



- Put the cable wire of the front panel through the door hole to the inside of the door.



- Pass the cable wire through the small square hole on the right side of the mounting plate.



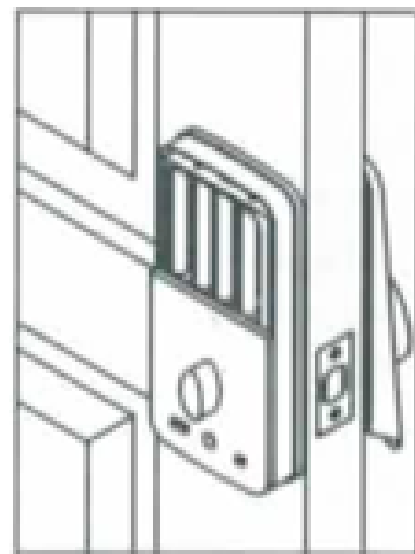
- Insert the plug of the front lock into socket of the rear lock and insert the thin bar into the hole of the knob. Then, plug in the rear lock the magnetic sensor wire.



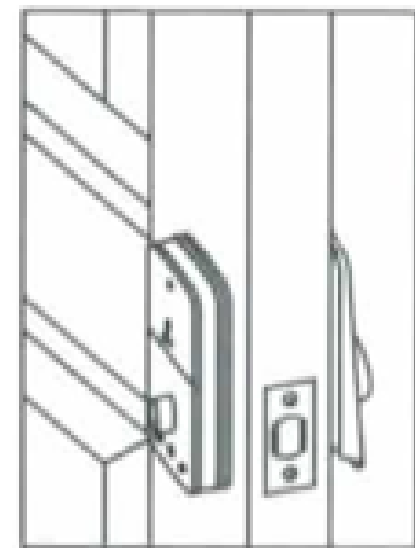
7. Secure the rear panel on the mounting plate with the 3 screws provided.



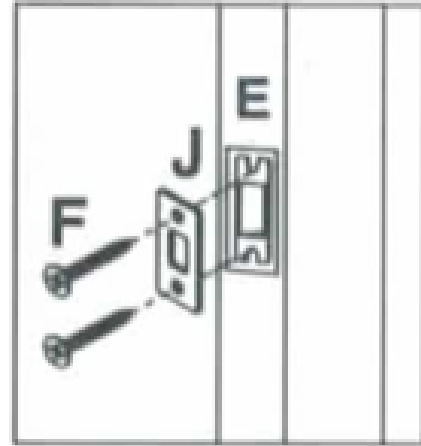
8. Insert 4 AA alkaline batteries in the battery holder of the rear panel.



9. Fix the battery cover with a screw.



10. Based on the actual size of the strike box, drill a hole into the door frame. Insert the strike box into the hole and cover it with the strike plate. Secure the strike plate in place using two screws.
- Test and debug:** Turn the knob of the rear panel to ensure the deadbolt opens and closes smoothly. Insert the mechanical key to verify smooth opening and closing of the deadbolt.
- Press the "button for unlocking" (refer to Figure 2 – item 9) to open the door and confirm smooth movement of the deadbolt in and out of the strike box. If there are any issues such as stiffness or misalignment, adjust it until it operates smoothly.

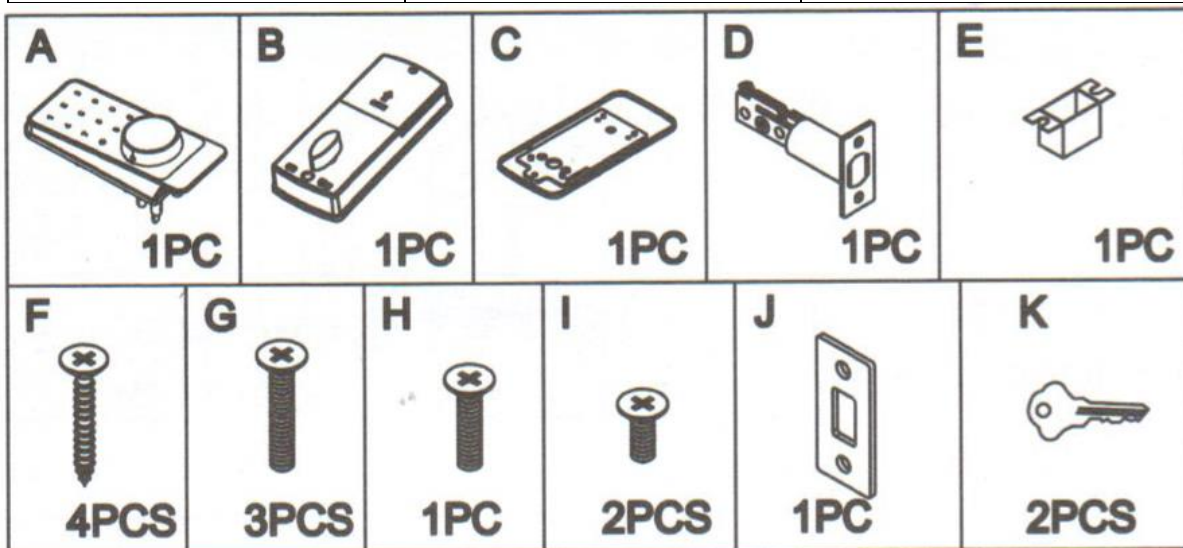


7. Maintenance

1. Contact of the lock surface with corrosive substances may damage the protective layer of the lock, resulting in a reduced product lifespan
2. We suggest inspecting the lock once a year to ensure the screws are secured and the lock is properly lubricated.
3. To prevent any inconvenience due to high battery consumption, it is recommended to replace the batteries promptly upon receiving the low battery alert.
4. In case the keyhole behind the front cap cannot work smoothly, we suggest regularly applying a bit of graphite powder (pencil powder) as the lubricant into the cylinder (once a year).
5. If you're going on a long trip or won't be using the lock for an extended period, please take the key with you and remove the batteries to preserve the lock's service life

Appendix

Packing List		
Number	Part Name	Quantity
A	Front panel	1 pc
B	Rear panel	1 pc
C	Mounting panel	1 pc
D	Deadbolt	1 pc
E	Strike box	1 pc
FGHI	Screws (pack)	10 pcs
J	Strike plate	1 pc
K	Mechanical keys	2 pcs
	Template	1 pc
	User manual	Download



Installation tools



1.Pencil



2.Tape measure



3.Square



4.Hand drill



5.Alloy bit



6.Hammer



7.Knife



8.Screwdriver



9.Chisel